



SPECIFICATION SHEET

Model #:	_____ Qty: _____
Project #:	_____
Consultant:	_____

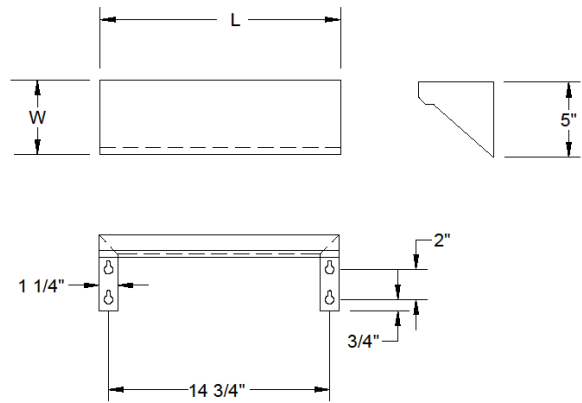
QUALITY FOOD SERVICE EQUIPMENT

LAVATORY SHELF



DIMENSIONS

flat



MATERIAL

- ◆ 16GA 300 stainless steel

FEATURES

- ◆ Wall mounted flat lavatory shelf
- ◆ Includes brackets & mounting hardware

Model#	Length	Width
WS-16LS	16"	5"
WS-18LS	18"	5"
WS-24LS	24"	5"
WS-36LS	36"	5"
WS-48LS	48"	5"